



APPLICATION FOR STANDARD PLAN APPROVAL
MINOR LINEAR UTILITY DISTURBANCES

Applicability Criteria

1. Disturbance will be for linear utility construction, having a maximum width of disturbance of 40 feet.
2. One of the following is met:
 - a. Total disturbance is 1.0 acre or less; or
 - b. Total disturbance is 5.0 acres or less, and
 - i. No greater than 1.0 acre will be disturbed at any time throughout the course of construction , and
 - ii. Land cover will be restored to the pre-construction hydrologic condition. In the case of forest clearing, land cover will be restored to an equivalent meadow condition.

Site Information

Site Location (911 Address or road name with distance to nearest intersection): _____

Width of disturbed area (feet): _____

Total Disturbed Acres (nearest 0.1ac): _____

Length of disturbed area (feet): _____

Proposed Impervious Area (square feet): _____

Length of disturbed area (miles): _____

Wooded area to be cleared: _____

Applicant Information

Owner: _____

Applicant: _____

Mailing Address: _____

Mailing Address: _____

Owner Phone: _____

Applicant Phone: _____

Owner Email: _____

Applicant Email: _____

Fees

The review fee is \$80 per disturbed acre to the nearest 0.1 acre with a minimum fee of \$80 for any standard plan approvals disturbing less than 1.0 acre. Make checks payable to Division of Watershed Stewardship.

Approval Information (for office use only)

Approval # _____ Fee Paid: \$ _____

Approved by: _____ Approval Date: _____

Title: _____ Expiration Date: _____

Standard Conditions:

1. Stabilization with seed and mulch or seed and stabilization matting will occur daily so that no greater than one acre will be disturbed at any one time.
2. Construction through sensitive areas, including stream and wetland crossings, will be accomplished through directional drilling, with land disturbance happening outside of the sensitive area.
3. Construction site stormwater management best management practices will be used.
4. Construction projects exceeding 1.0 acre of total disturbance require submittal of a Notice of Intent (NOI) for Stormwater Discharges Associated with Construction Activity. A plan fulfilling Stormwater Pollution Prevention Plan (SWPPP) requirements must be developed to obtain general permit coverage for Stormwater Discharges Associated with Construction Activity (see attachment).
5. Approval of this Standard Plan does not relieve the applicant from complying with any and all federal, state, county or municipal laws and regulations.

Stabilization Conditions

1. Following initial soil disturbance or redisturbance, temporary or permanent stabilization with seed and mulch shall be completed within 14 calendar days to the surface of all disturbed areas not actively under construction.
2. Specific stabilization recommendations may be found in the Delaware Erosion and Sediment Control Handbook, 3.4.3 Standard and Specifications for Vegetative Stabilization.

Applicant Certification

I, the undersigned, certify that the information supplied on this Application for Standard Plan Approval is accurate, the proposed land disturbing activity meets the criteria established, and all conditions of this Standard Plan Approval will be met by the applicant, contractor, and owner during construction and post construction.

Applicant Signature: _____ Date: _____

Applicant Printed Name: _____ Title: _____

*****THIS STANDARD PLAN APPLICATION FORM MUST BE MAINTAINED ON THE SITE AT ALL TIMES DURING CONSTRUCTION*****

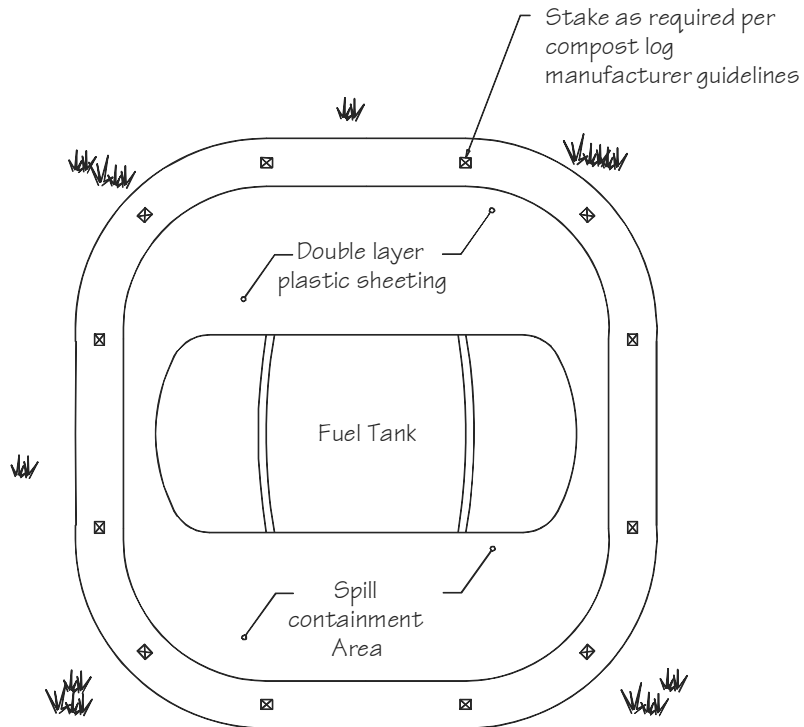
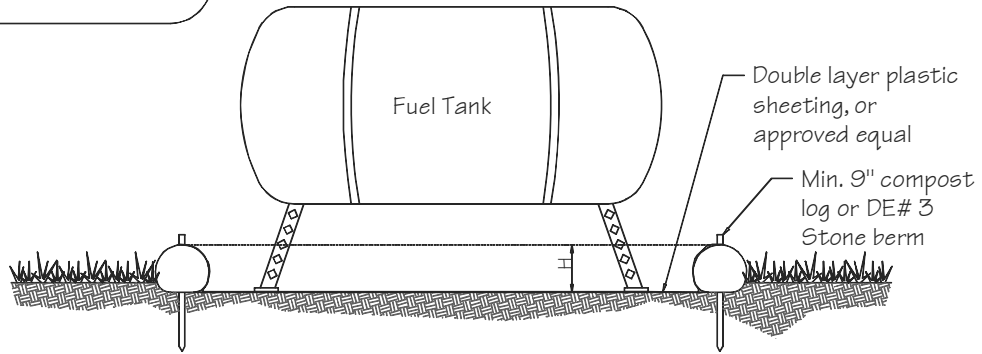
Standard Detail & Specifications

Construction Site Waste Mgt & Spill Control



DATA TO BE PROVIDED

- Volume of Potential Pollution
- Height of containment
- Area of containment
- Volume of containment



Source:

Delaware ESC Handbook

Symbol:

Detail No.

DE-ESC-3.6.1

Sheet 1 of 5



Construction Site Waste Mgt & Spill Control

Pollution Prevention – Spill Prevention

1. Fueling should only take place in signed designated areas, away from downstream drainage facilities and watercourses.
2. Fueling must be with nozzles equipped with automatic shut-off to control drips. Do not top off.
3. Protect the areas where equipment or vehicles are being repaired, maintained, fueled or parked from storm water run-on and runoff.
4. Use barriers such as berms to prevent storm water run-on and runoff, and to contain spills.
5. Place a “Fueling Area” sign next to each fueling area.
6. Store hazardous materials such as fuel, solvents, oil and chemicals in secondary containment.
7. Inspect vehicles and equipment for leaks on each day of use. Repair fluid and oil leaks immediately.
8. Absorbent spill clean-up materials and spill kits must be available in fueling areas and on fuel trucks.
9. If fueling is to take place at night, make sure the fueling area is sufficiently illuminated.
10. Properly dispose of used oil, fluids, lubricants and spill clean-up materials.

CLEAN UP SPILLS

1. If it is safe to do so, immediately contain and clean up any chemical and/or hazardous material spills.
2. Properly dispose of used oil, fluids, lubricants and spill clean-up materials.
3. Do not bury spills or wash them down with water.

LEAKS AND DRIPS

1. Use drip pans or absorbent pads at all times. Place under and around leaky equipment.
2. Do not allow oil, grease, fuel or chemicals to drip onto the ground.
3. Have spill kits and clean up material on-site.
4. Repair leaky equipment promptly or remove problem vehicles and equipment from the site. Clean up contaminated soil immediately.
5. Store contaminated waste in sealed containers constructed of suitable material. Label these containers properly.
6. Clean up all spills and leaks. Promptly dispose of waste and spent clean up materials.

Source: Delaware ESC Handbook	Symbol:	Detail No. DE-ESC-3.6.1 Sheet 2 of 5
--------------------------------------	---------	---

Construction Site Waste Mgt & Spill Control

Notes:

The Construction Site Pollution Prevention Plan should include the following elements:

1. Material Inventory

Document the storage and use of the following materials:

- a. Concrete
- b. Detergents
- c. Paints (enamel and latex)
- d. Cleaning solvents
- e. Pesticides
- f. Wood scraps
- g. Fertilizers
- h. Petroleum based products

2. Good housekeeping practices

- a. Store only enough product required to do the job.
- b. All materials shall be stored in a neat, orderly manner in their original labeled containers and covered.
- c. Substances shall not be mixed.
- d. When possible, all of a product shall be used up prior to disposal of the container.
- e. Manufacturers' instructions for disposal shall be strictly adhered to.
- f. The site foreman shall designate someone to inspect all BMPs daily.

3. Waste management practices

- a. All waste materials shall be collected and stored in securely lidded dumpsters in a location that does not drain to a waterbody.
- b. Waste materials shall be salvaged and/or recycled whenever possible.
- c. The dumpsters shall be emptied a minimum of twice per week, or more if necessary. The licensed trash hauler is responsible for cleaning out dumpsters.

Source: Adapted from USEPA Pub. 840-B-92-002	Symbol:	Detail No. DE-ESC-3.6.1 Sheet 3 of 5
--	---------	---



Construction Site Waste Mgt & Spill Control

Notes (cont.)

- d. Trash shall be disposed of in accordance with all applicable Delaware laws.
- e. Trash cans shall be placed at all lunch spots and littering is strictly prohibited. Recycle bins shall be placed near the construction trailer.
- f. If fertilizer bags can not be stored in a weather-proof location, they shall be kept on a pallet and covered with plastic sheeting which is overlapped and anchored.

4. Equipment maintenance practices

- a. If possible, equipment should be taken to off-site commercial facilities for washing and maintenance.
- b. If performed on-site, vehicles shall be washed with high-pressure water spray without detergents in an area contained by an impervious berm.
- c. Drip pans shall be used for all equipment maintenance.
- d. Equipment shall be inspected for leaks on a daily basis.
- e. Washout from concrete trucks shall be disposed of in a temporary pit for hardening and proper disposal.
- f. Fuel nozzles shall be equipped with automatic shut-off valves.
- g. All used products such as oil, antifreeze, solvents and tires shall be disposed of in accordance with manufacturers' recommendations and local, state and federal laws and regulations.

5. Spill prevention practices

- a. Potential spill areas shall be identified and contained in covered areas with no connection to the storm drain system.
- b. Warning signs shall be posted in hazardous material storage areas.
- c. Preventive maintenance shall be performed on all tanks, valves, pumps, pipes and other equipment as necessary.
- d. Low or non-toxic substances shall be prioritized for use.

Source: Adapted from USEPA Pub. 840-B-92-002	Symbol:	Detail No. DE-ESC-3.6.1 Sheet 4 of 5
--	---------	---



Construction Site Waste Mgt & Spill Control

Notes (cont.)

- e. Contact information for reporting spills through the DNREC 24-Hour Toll Free Number shall be prominently posted.

6. Education

- a. Best management practices for construction site pollution control shall be a part of regular progress meetings.
- b. Information regarding waste management, equipment maintenance and spill prevention shall be prominently posted in the construction trailer.

CONTACT INFORMATION

DNREC 24-Hour Toll Free Number	800-662-8802
DNREC Solid & Hazardous Waste Branch	302-739-9403

Source: Adapted from USEPA Pub. 840-B-92-002	Symbol:	Detail No. DE-ESC-3.6.1 Sheet 5 of 5
--	---------	---